

**HUFFY** SPORTS

A Huffly Company

WRITE IN YOUR MODEL NUMBER: \_\_\_\_\_ Customer Service Center N53 W24700 South Corporate Circle Sussex, WI 53089 U.S.A.

**Portable Basketball System with Elevator-Owners Manual****IMPORTANT!** In U.S. and Canada only:  
Have questions?...don't go back to the store!

We appreciate your purchasing one of our many fine products. We are sure that you will be very satisfied with your selection. Although great care and effort have been taken, occasionally problems may occur. To ensure prompt and correct handling of any problems, or to answer any questions, please contact our Toll-Free Customer Service Number listed below. Service will be quicker if you have your Model Number (found on carton) and assembly instructions ready when calling. PLEASE WRITE YOUR MODEL NUMBER IN THE SPACE PROVIDED ABOVE.

**SAFETY INSTRUCTIONS**

FAILURE TO FOLLOW THESE SAFETY INSTRUCTIONS MAY RESULT IN SERIOUS INJURY, PROPERTY DAMAGE AND WILL VOID WARRANTY.

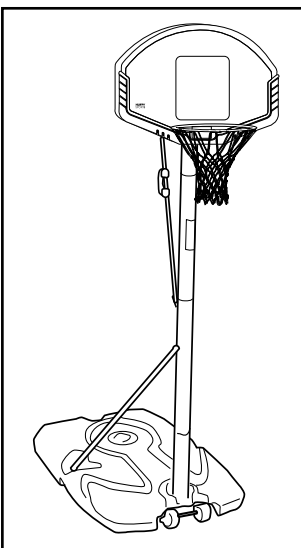
*Owner must ensure that all players know and follow these rules for safe operation of the system.*

To ensure safety, do not attempt to assemble this system without following the instructions carefully. Proper and complete assembly, use and supervision is essential for proper operation and to reduce the risk of accident or injury. A high probability of serious injury exists if this system is not installed, maintained, and operated properly. Check entire box and inside all packing material for parts and/or additional instructional material. Before beginning assembly, read the instructions and identify parts using the hardware identifier and parts list in this document.

If using a ladder during assembly, use extreme caution. Two (2) people are recommended for this operation. Check base regularly for leakage. Slow leaks could cause system to tip over unexpectedly. Seat the pole sections properly (if applicable). Failure to do so could allow the pole sections to separate during play and/or transport of the system. Climate, corrosion or misuse could result in system failure. Minimum operational height is 6'6" (1.98 m) to the bottom of backboard. This equipment is intended for home recreational use only and NOT excessive competitive play. Read and understand the warning label affixed to pole. Label is shown on page 1. The life of your basketball pole depends on many conditions. The climate, placement of the pole, the location of the pole, exposure to corrosives such as pesticides, herbicides or salts are all important. If technical assistance is required, contact Huffly Sports. Adult supervision is recommended when adjusting height.

*Most injuries are caused by misuse and/or not following instructions. Use caution when using this system.*

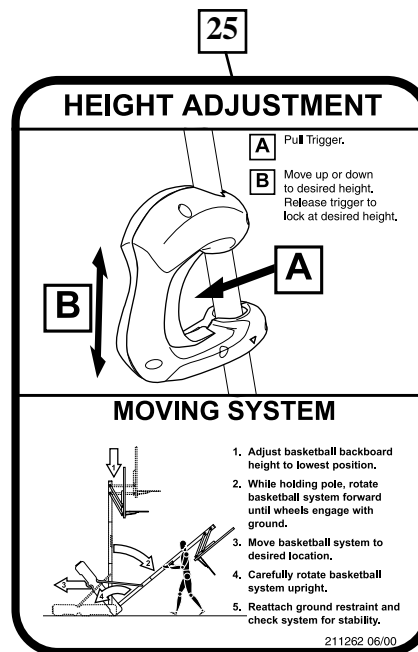
For more information on assembly, placement, proper use and maintenance, visit The American Basketball Council website at <http://www.smarthoops.com>.

**REQUIRED TOOLS AND MATERIALS:**

Two People  
Tape Measure  
Wood Board (Scrap)  
Wrenches: (Two of Each) 7/16 , 1/2 , 9/16 , 3/4 or Large and Small Adjustable Wrenches  
Sawhorse or Support Table  
Garden Hose or Sand (300 lb.) (136 kg)  
Hammer  
Tape  
Phillips Screwdriver  
1/2 & 9/16 Extended Deep Socket w/ Extension  
Recommended

**NOTICE TO ASSEMBLERS**

ALL Huffly Sports basketball Systems, including those used for **DISPLAYS**, **MUST** be assembled and ballasted with sand or water according to instructions. Failure to follow instructions could result in **SERIOUS INJURY**. It is **NOT** acceptable to devise a makeshift weight system.

**WARNING**

FAILURE TO FOLLOW THESE WARNINGS MAY RESULT IN SERIOUS INJURY AND/OR PROPERTY DAMAGE.

*Owner must ensure that all players know and follow these rules for safe operation of the system.*

- DO NOT HANG on the rim or any part of the system including backboard, support braces or net.
- During play, especially when performing dunk type activities, keep player's face away from the backboard, rim and net. Serious injury could occur if teeth/face come in contact with backboard, rim or net.
- Do not slide, climb, shake or play on base and/or pole.
- After assembly is complete, fill system completely with water or sand and stake to the ground. Never leave system in an upright position without filling base with weight, as system may tip over causing injuries.
- When adjusting height or moving system, keep hands and fingers away from moving parts.
- Do not allow children to move or adjust system.
- During play, do not wear jewelry (rings, watches, necklaces, etc.). Objects may entangle in net.
- Surface beneath the base must be smooth and free of gravel or other sharp objects. Punctures cause leakage and could cause system to tip over.
- Keep organic material away from pole base. Grass, litter, etc. could cause corrosion and/or deterioration.
- Check pole system for signs of corrosion (rust, pitting, chipping) and repaint with exterior enamel paint. If rust has penetrated through the steel anywhere, replace pole immediately.
- Check system before each use for proper ballast, loose hardware, excessive wear and signs corrosion and repair before use.
- Check system before each use for instability.
- Do not use system during windy and/or severe weather conditions; system may tip over. Place system in the storage position and/or in an area protected from the wind and free from personal property and/or overhead wires.
- Never play on damaged equipment.
- See instruction manual for proper installation and maintenance.
- When moving system, use caution to keep mechanism from shifting.
- Keep pole top covered with cap at all times.
- Do not allow water in tank to freeze. During sub-freezing weather add non-toxic antifreeze, sand or empty tank completely and store. (Do not use salt.)
- Use extreme caution if placing system on sloped surface. System may tip over more easily.

**HUFFY** SPORTS

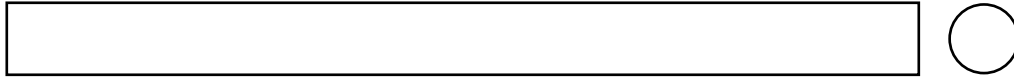
In the U.S.: 1-800-558-5234 and Canada: 1-800-284-8339

201241 2/99

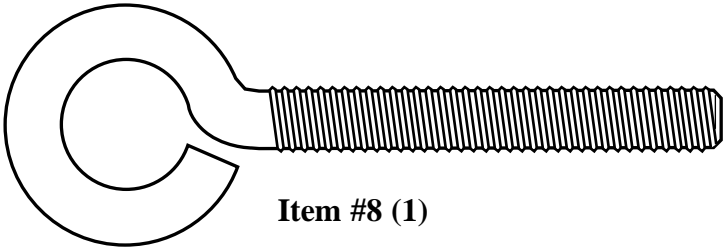
The NBA and individual NBA member team identifications reproduced on this product are trademarks and copyrighted designs, and/or other forms of intellectual property, that are the exclusive property of NBA Properties, Inc. and the respective NBA member teams and may not be used, in whole or in part, without the written consent of NBA Properties, Inc.

Toll-Free Customer Service Number for U.S: 1-800-558-5234, For Canada: 1-800-284-8339, For Europe: 00 800 555 85234 (Sweden: 009 555 85234), For Australia: 1-800-333 061 - Internet Address: <http://www.huffysports.com>

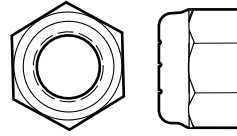
# HARDWARE IDENTIFIER



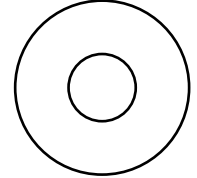
Item #7 (1)



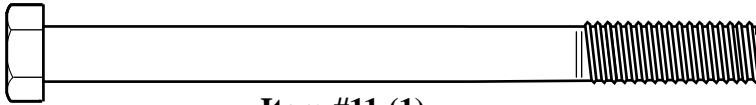
Item #8 (1)



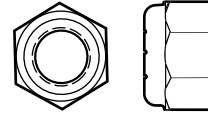
Item #9 (1)



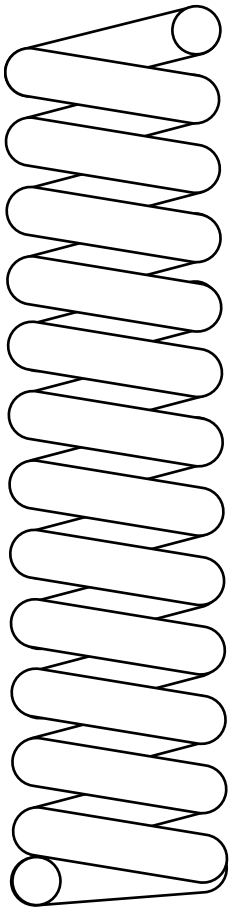
Item #12 (6)



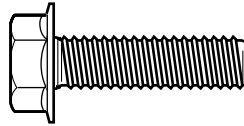
Item #11 (1)



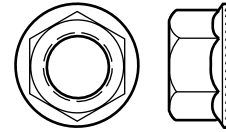
Item #13 (2)



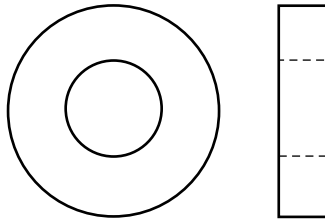
Item #30 (1)



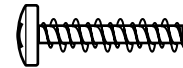
Item #15 (2)



Item #16 (10)



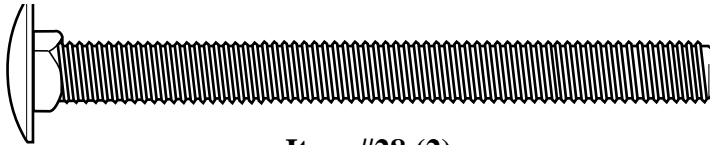
Item #17 (2)



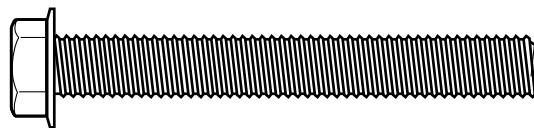
Item #18 (5)



Item #20 (12)



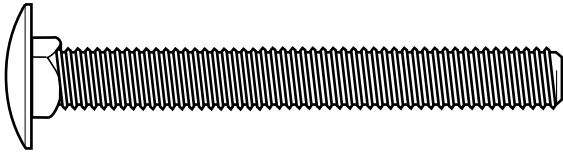
Item #28 (2)



Item #31 (4)

\* You may have extra parts with this model.

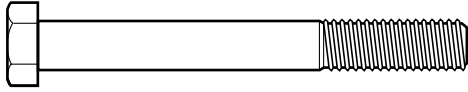
**HARDWARE IDENTIFIER**



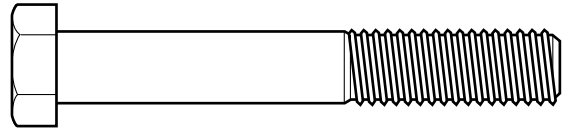
**Item #32 (2)**



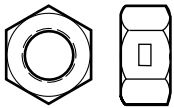
**Item #33 (2)**



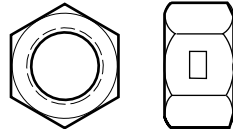
**Item #34 (1)**



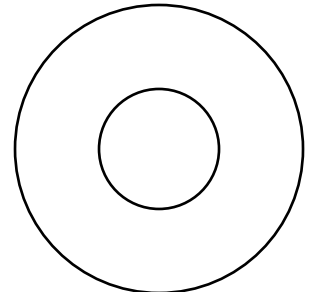
**Item #35 (1)**



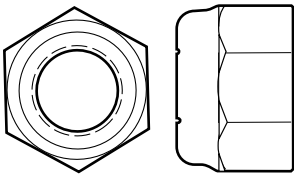
**Item #36 (1)**



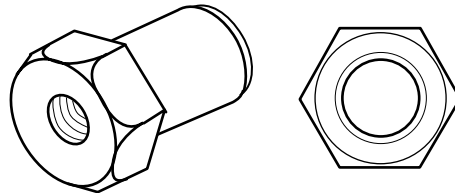
**Item #37 (1)**



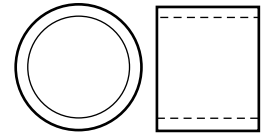
**Item #38 (1)**



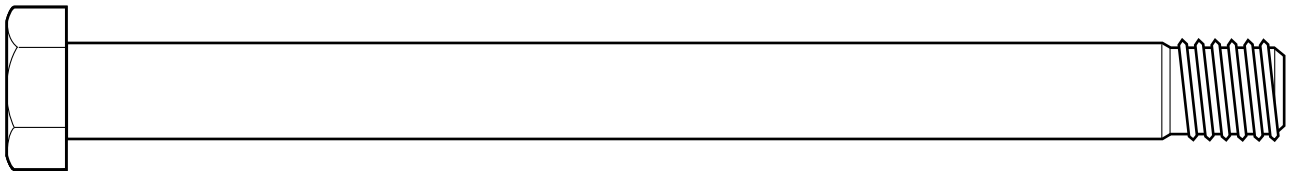
**Item #39 (5)**



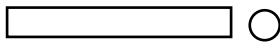
**Item #40 (1)**



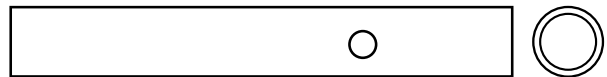
**Item #42 (4)**



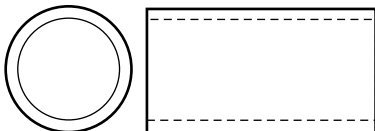
**Item #43 (2)**



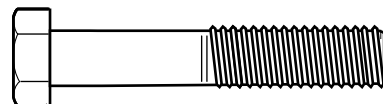
**Item #45 (1)**



**Item #46 (1)**

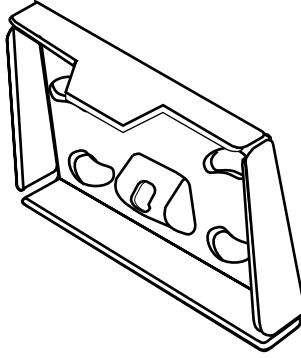


**Item #51 (2)**

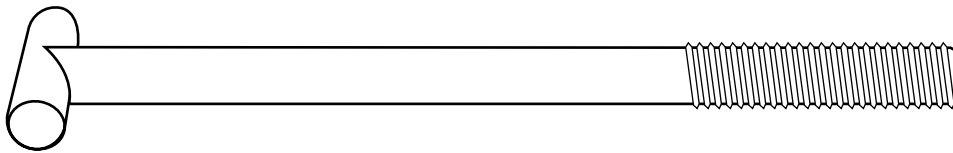


**Item #53 (1)**

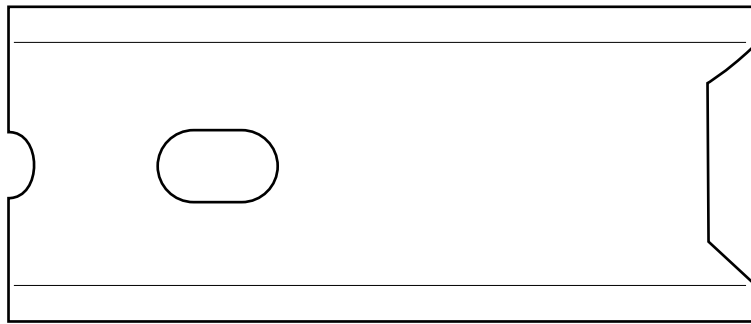
# RIM HARDWARE IDENTIFIER



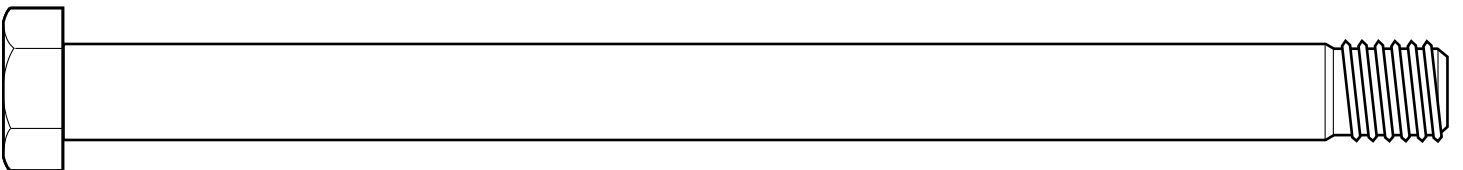
**Item #57 (1)**



**Item #58 (1)**



**Item #59 (1)**



**Item #60 (3)**

**NOTE:** Hardware content may vary. Item #7 201611 or 203104



## Questions or Missing Parts?

**STOP! DON'T go back to store!**

Call TOLL-FREE Customer Service  
Number listed on the front page!

1. Remove contents from tank (1).
2. Correctly identify each pole section and mark indicated distance from ends with tape as shown.
3. **IMPORTANT! Center alignment slot of middle pole section (5) in a lower hole of top pole section (4) as shown.** While maintaining alignment, bounce pole top (4) and middle section (5) together as shown until they no longer move toward taped reference mark. Upright assembly. **NOTE:** Pole sections should have a 3-1/2" (9 cm) minimum overlap.
4. **IMPORTANT! Center alignment slot of lower pole section (6) in a lower hole of middle pole section (5) as in step 3.** While maintaining alignment, bounce assembly and lower pole section (6) together as shown until they no longer moved toward taped reference mark. **NOTE:** Pole sections should have a 3-1/2" (9 cm) minimum overlap.
5. Install rod (7) through holes in bottom pole section (6) and eyebolt (8).
6. Install wheel axle (2) through wheel carriage (19) and install wheels (3) onto wheel axle (2) with spacers (17) as shown. Insert pole assembly into tank assembly as shown. Secure bottom pole (6) section to tank and wheel carriage as shown. A deep socket is recommended. **NOTE:** Two people recommended for this step. **IMPORTANT! DO NOT OVER TIGHTEN.**
7. Secure base struts (10) to pole using bolt (11), washers (12), and nut (13), as shown. Rotate the non-secured ends of base struts (10) as shown.

**▲ WARNING: TIGHTEN BOLT (11) IN LOCKNUT (13) UNTIL FLUSH (EVEN) WITH LOCKNUT'S OUTER EDGE.**

8. Secure base struts (10) to base using bolt (15), washers (12), and nut (16).
9. Install pole mount bracket (27) and reinforcement bracket (56) with carriage bolts (28) as shown. Tighten flange nuts (16) completely.
10. Assemble backboard brackets (29) using spacers (33) bolts (34, 35) and nuts (36, 37) as shown.
11. **IMPORTANT!** Test fit bolts into holes of backboard brackets(29) and carefully rock them in a circular motion to ream out paint from holes if necessary. Attach lower elevator tubes (41) to backboard brackets (29) using spacers (42) bolt (43) and nut (39) as shown.
12. **▲ WARNING: TWO PERSON MINIMUM REQUIRED FOR THIS PROCEDURE. NOT FOLLOWING RECOMMENDATION MAY RESULT IN BODILY INJURY.**  
Insert T bolt (58) through Slam Jam bracket (57) as shown. Secure Slam Jam bracket (57) and backboard bracket (29) assemblies to backboard. Bend upper halves of backboard brackets (29) to line up with holes in backboard and secure with bolts (32) and nuts (16). Tighten completely.
13. Attach upper elevator tubes (44) to backboard brackets (29) using spacers (42) bolt (43) and nut (39) as shown.
14. **▲ WARNING: TWO PERSON MINIMUM REQUIRED FOR THIS PROCEDURE. NOT FOLLOWING RECOMMENDATION MAY RESULT IN BODILY INJURY.**  
Support pole on sawhorse. Attach upper and lower elevator tubes (44, 41) to upper pole section (4) using bolts (60) and nuts (39) as shown. Attach pole cap (22) as shown.
15. Insert locking pin (46) into bracket on adjustment tube (49). Insert cross pin (45) through hole in bracket and locking pin (46) as shown in figure

A. Fit left handle (47) onto adjustment tube (49) so the bottom of adjustment tube (49) sits on the two small ribs of the handle as shown in figure B.

16. Insert spring (50) into back of locking pin (46) as shown. Spring (50) should rest between two small ribs at the back of the plastic handle as shown in Figure C. Insert top of trigger (55) into bracket on the adjustment tube (49) as shown. The plastic post of the handle pieces should go through the hole in bottom of trigger (55) and hold it into place as shown.
17. Finish handle assembly by attaching right handle (48) using screws (18) as shown.
18. Attach adjustment tube (49) to lower elevator tubes (41) using bolt (60) spacers (51) and nut (39) as shown.
19. **▲ WARNING: TWO PERSON MINIMUM REQUIRED FOR THIS PROCEDURE. NOT FOLLOWING RECOMMENDATION MAY RESULT IN BODILY INJURY.**  
**▲ WARNING: DO NOT LEAVE ASSEMBLED UNIT UNATTENDED WHEN EMPTY, MAY TIP OVER.**  
Insert lower adjustment rod (52) into bottom of adjustment tube (49), pull trigger to allow lower adjustment rod to move about mid-way into adjustment tube (49), release the trigger so the lower adjustment rod (52) locks into position midway inside the adjustment tube (49). Attach the lower adjustment rod (52) to elevator bracket (27) using bolt (53) and nut (13) as shown.
20. Fit rim (21) securely into bracket (57) as shown. Install reinforcement bracket (59) onto T bolt (58) as shown. Install spring (30) onto T bolt (58) as shown. Install special nut (40) and washer (38) onto T bolt (58). Tighten nut (40) until flush with end of T bolt (58).

**▲ WARNING: USE OF THIS PRODUCT WITHOUT PROPER INSTALLATION OF SMART CLIPS, OR WHEN ALL SMART CLIPS ARE NOT PRESENT COULD RESULT IN BODILY HARM. BE SURE TO FOLLOW DIRECTIONS CAREFULLY.**

21. Install net clips as shown. (See illustration)
22. Install net as shown. (See illustration)
23. **▲ WARNING: DO NOT LEAVE ASSEMBLY UNATTENDED WHEN EMPTY, MAY TIP OVER.**  
**▲ WARNING: TWO PERSON MINIMUM REQUIRED FOR THIS PROCEDURE. NOT FOLLOWING RECOMMENDATION MAY RESULT IN BODILY INJURY.**  
Roll the completed assembly to the desired playing area. Insert the T-strap (14) through the slot on the back of the base as shown. Secure the unit to ground by twisting the tie down stake (23) into the ground and hooking the T-strap (14) onto the tie down stake (23). Fill tank with 33 gallons of water. **IMPORTANT! Add two gallons (7.6 Liters) of non-toxic antifreeze in sub-freezing climates.**
24. Apply the height adjustment and moving label (25) to the front of the pole as shown.
25. Lock elevator system into highest position (so the backboard is as high as it will go). Apply 10 ft. height indication sticker (54) to adjustment rod (52) directly below arrow on handle as shown. Move elevator system to the next position and apply the 9 1/2 ft. sticker. Repeat until all height settings have been labeled. (8-10ft.)
26. Pull trigger (55). Move elevator system up or down to desired height, release trigger (55) to lock system into one of the five height settings.  
**▲ WARNING: DO NOT ALLOW CHILDREN TO ADJUST HEIGHT.**

#### WARRANTY CARD:

Please remember to complete your product registration form either on-line at: [www.huffysports.com/warrantycard](http://www.huffysports.com/warrantycard) or mail-in the enclosed postcard.

**PARTS LIST - See Hardware Identifier**

<u>Item</u>	<u>Qty.</u>	<u>Part No.</u>	<u>Description</u>	<u>Item</u>	<u>Qty.</u>	<u>Part No.</u>	<u>Description</u>
1	1	206669	Tank, (Black)	30	1	203472	Spring, Black, Slam Jam
2	1	200628	Wheel Axle	31	4	203113	Bolt, Hex Flange , 5/16-18 x 2 1/2 Long
3	2	226401	Wheel, 4 (Black)	32	2	203038	Bolt, Carriage, 5/16-18 x 2-3/4 Long
4	1	900217	Top Pole Section	33	2	201129	Spacer .402 I.D. x.500 O.D. x 1.8 Long
5	1	904840	Middle Pole Section	34	1	240017	Bolt, Hex 1/4-20 x 2-1/4 Long
6	1	900136	Bottom Pole Section	35	1	206360	Bolt, Hex 3/8-16 x 2.65 Long
7	1	202820	Rod, 3/8 O.D. x 4-3/4 Long	36	1	203493	Lock Nut 1/4-20
8	1	202822	Eyebolt, 3/8-16 x 2-1/2 Long	37	1	201124	Lock Nut 3/8-16
9	1	203063	Nylon Insert Lock Nut, 3/8-16	38	1	203470	Washer Flat, Slam Jam
10	2	906206	Tank Strut	39	5	206340	Nut 1/2-13
11	1	201625	Bolt, Hex Head, 5/16-18 x 3-3/4 Long	40	1	203795	Nut, Special, Slam Jam
12	6	203218	Washer, Flat, 3/8 I.D.	41	2	902537	Lower Elevator Tubes
13	2	203220	Nylon Insert Lock Nut, 5/16-18	42	4	201642	Spacer .530 I.D. x.63 O.D. x .5 Long
14	1	201568	Anchor, T-Strap	43	5	206304	Bolt 1/2-13 x 6-5/16 Long
15	4	205528	Bolt, Hex Flange, 5/16-18 x 1 Long	44	2	908002	Upper Elevator Tubes
16	10	203100	Nut, Hex Flange, 5/16-18	45	1	200215	Cross Pin
17	4	201651	Spacer .500 I.D. x .25 Long	46	1	200214	Locking Pin
18	5	204804	Screw, Phillips Head, 3/4 Long	47	1	200211	Left Handle
19	1	200627	Wheel Bracket	48	1	200210	Right Handle
20	12	201219	Clip, Net Holder	49	1	900006	Adjustment Tube - Upper
21	1		Rim	50	1	200257	Spring
22	1	206219	Cap, Pole Top 3	51	2	202862	Spacer .563 I.D. x 1.19 Long
23	1	203124	Stake, Tie Down	52	1	908008	Adjustment Rod - Lower
24	2	203617	Plug Cap	53	1	202739	Bolt 5/16-18 x 1.75 Long
25	1	211262	Label, Height Adjustment and Moving	54	1	204872	Labels Height Indicator
26	1		Net	55	1	200212	Trigger
27	1	200209	Pole Mount Bracket	56	1	206990	Reinforcement Bracket
28	2	203231	Bolt, Carriage, 5/16-18 x 3.5 Long	57	1	900033	Bracket Slam Jam
29	2	900846	Backboard Bracket	58	1	203796	T-Bolt, 3/8-16 x 5 Large
				59	1	200318	Bracket, Reinforcement, Slam Jam

**NOTE:** Hardware kit is designed for more than one style of basketball system.  
Not all hardware will be used.

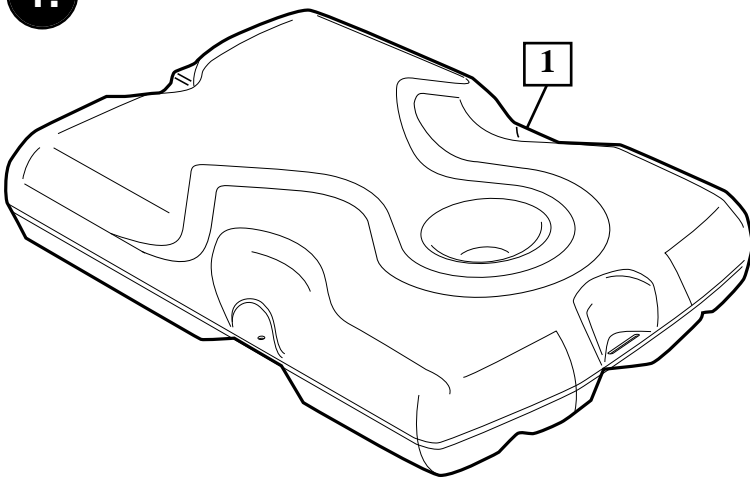


# Questions or Missing Parts?

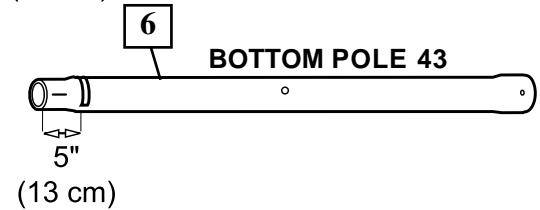
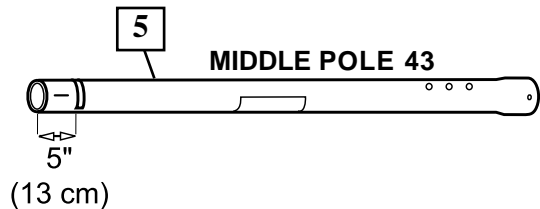
## DON'T go back to store!

Call TOLL-FREE Customer Service  
Number listed on the front page!

1.



2.

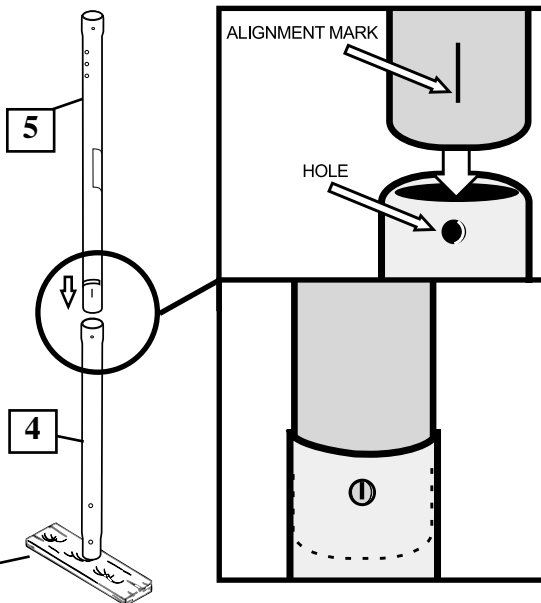


3.

**IMPORTANT!**  
(See Text Page)

**Note**  
(See Text Page)

WOOD SCRAP

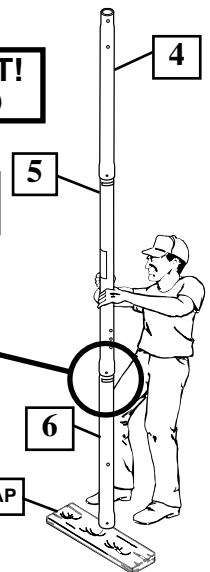


4.

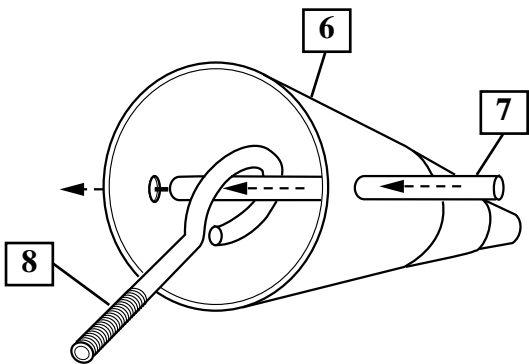
**IMPORTANT!**  
(See Text Page)

**Note**  
(See Text Page)

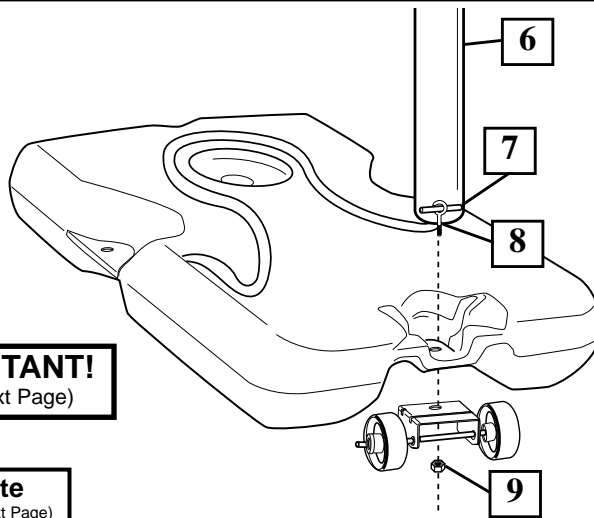
WOOD SCRAP



5.

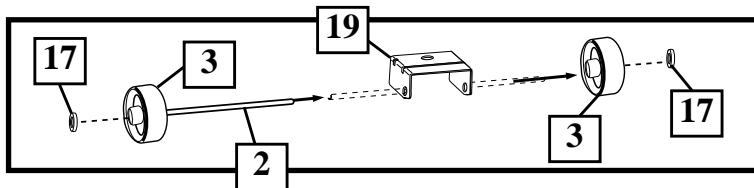


6.

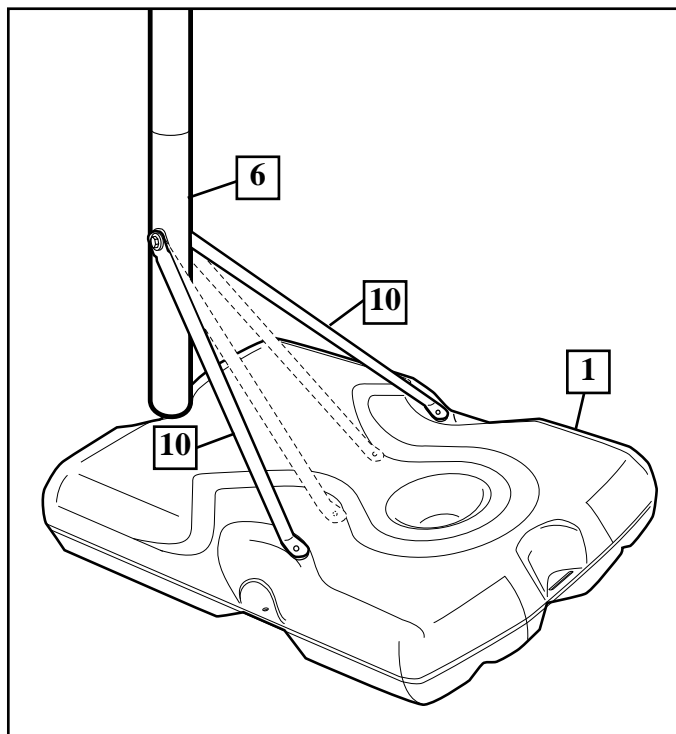
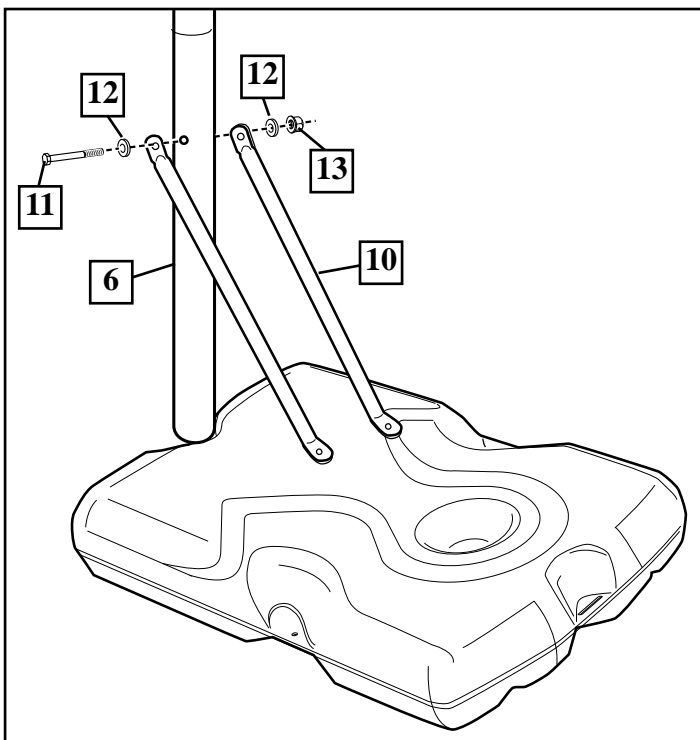


**IMPORTANT!**  
(See Text Page)

**Note**  
(See Text Page)

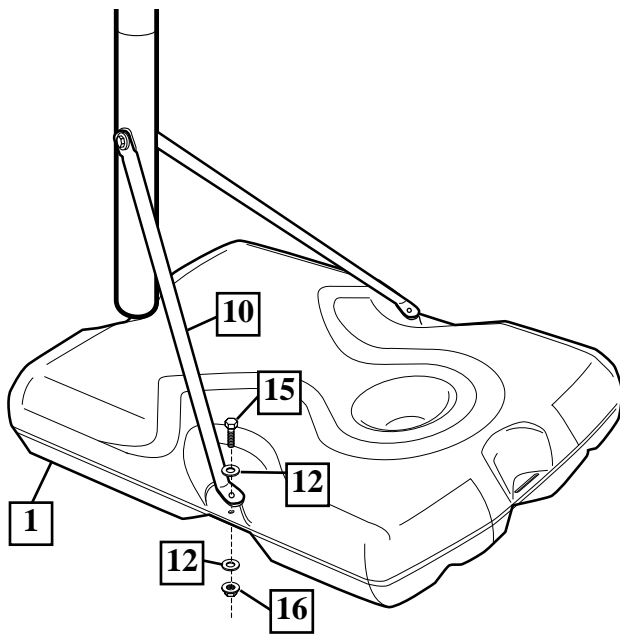


7.

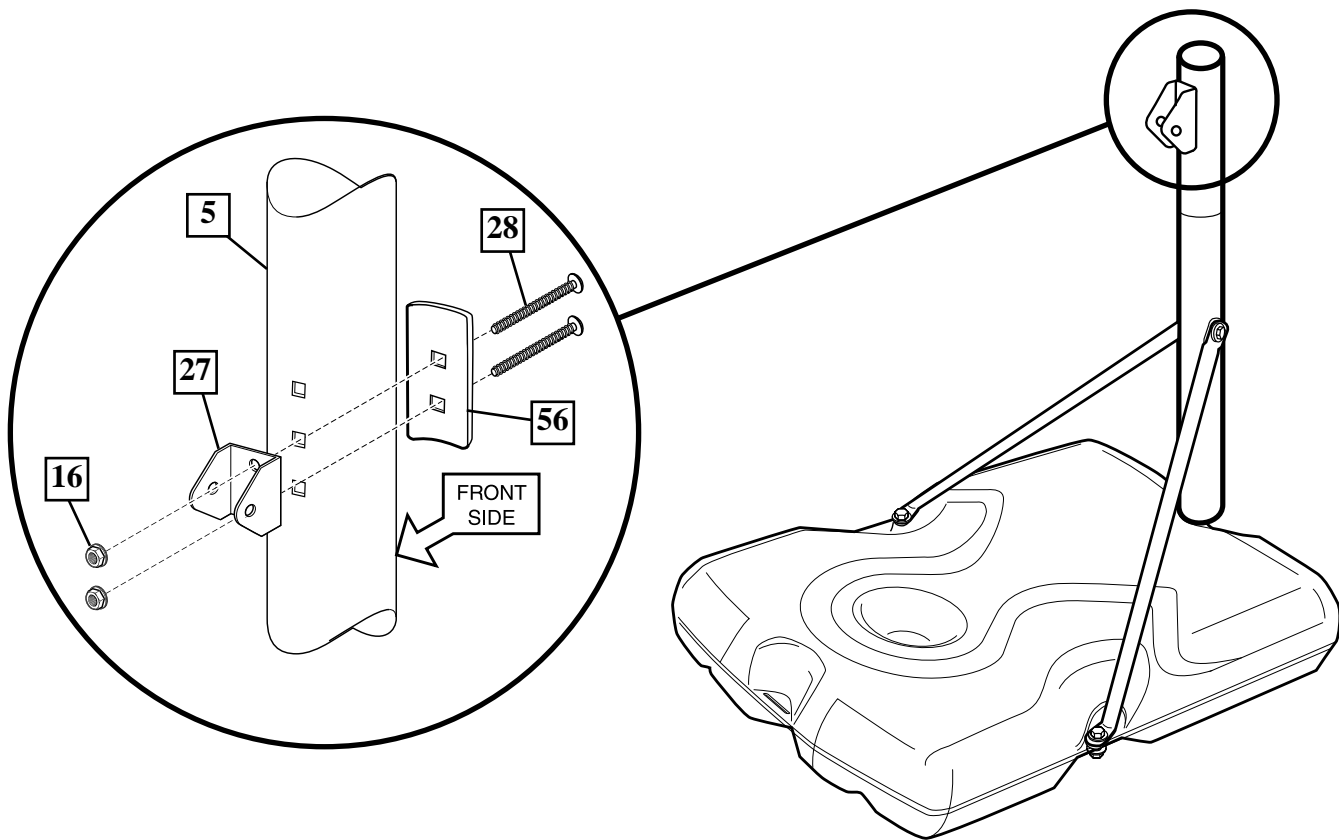




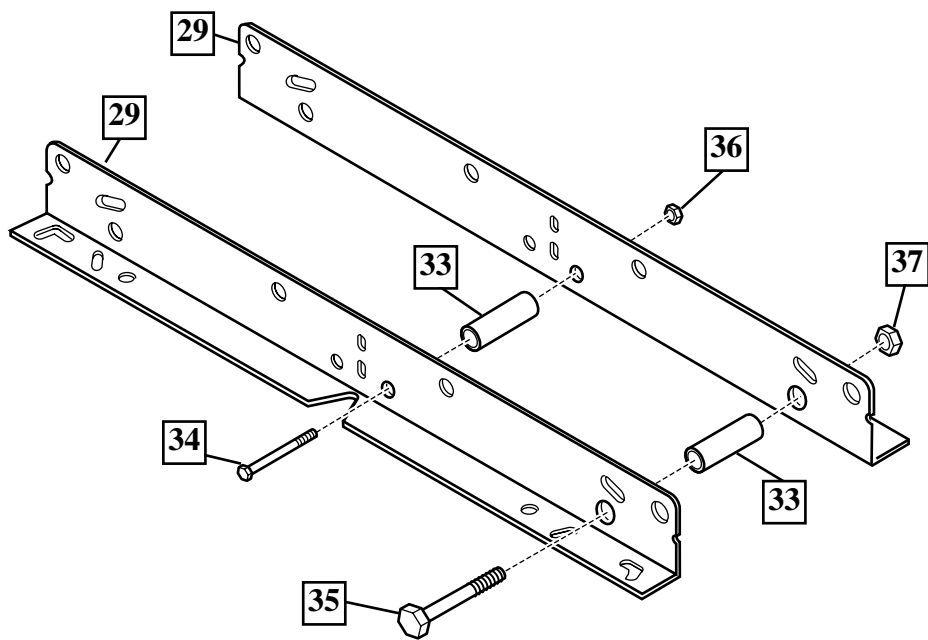
8.



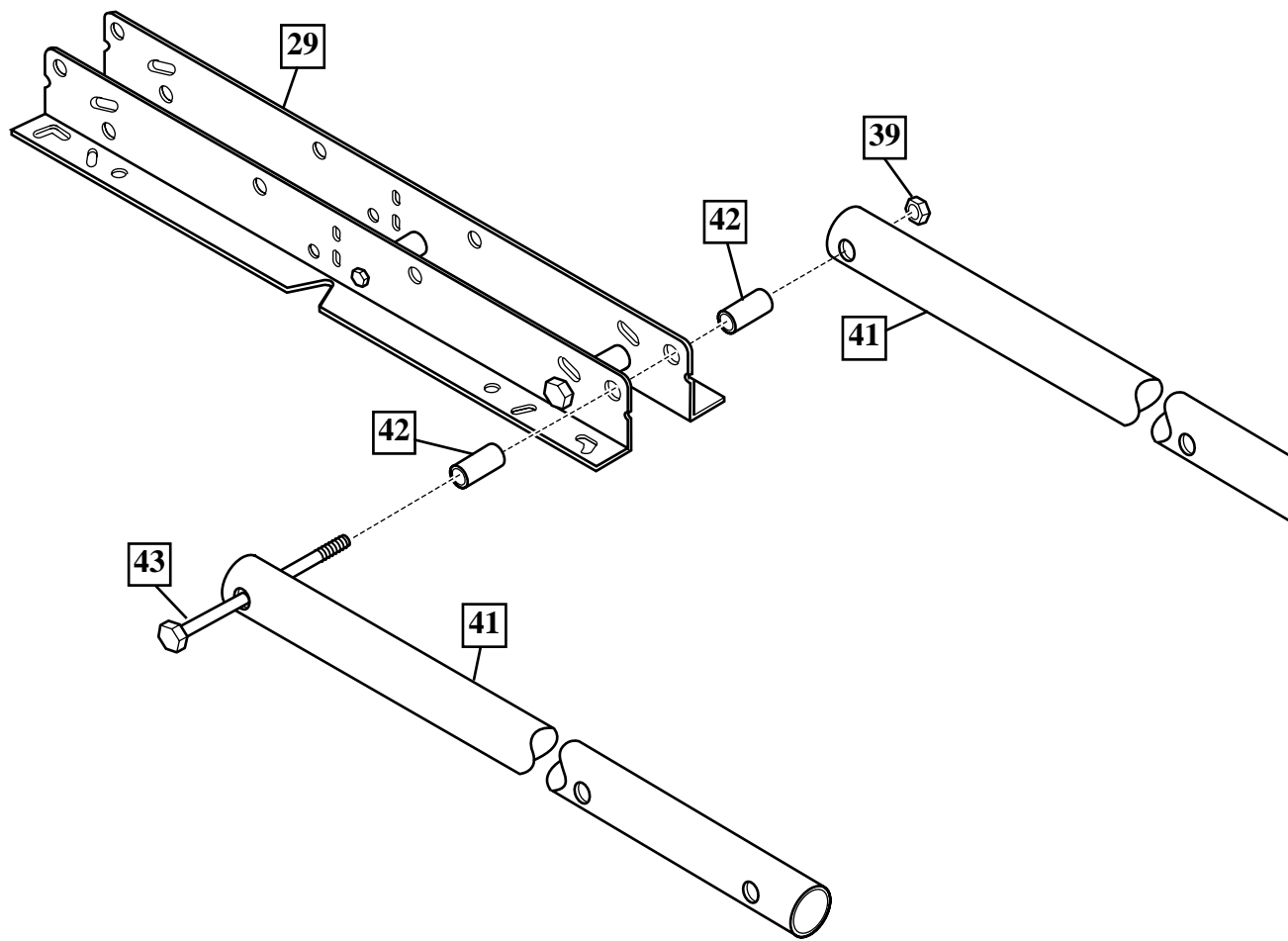
9.



10.

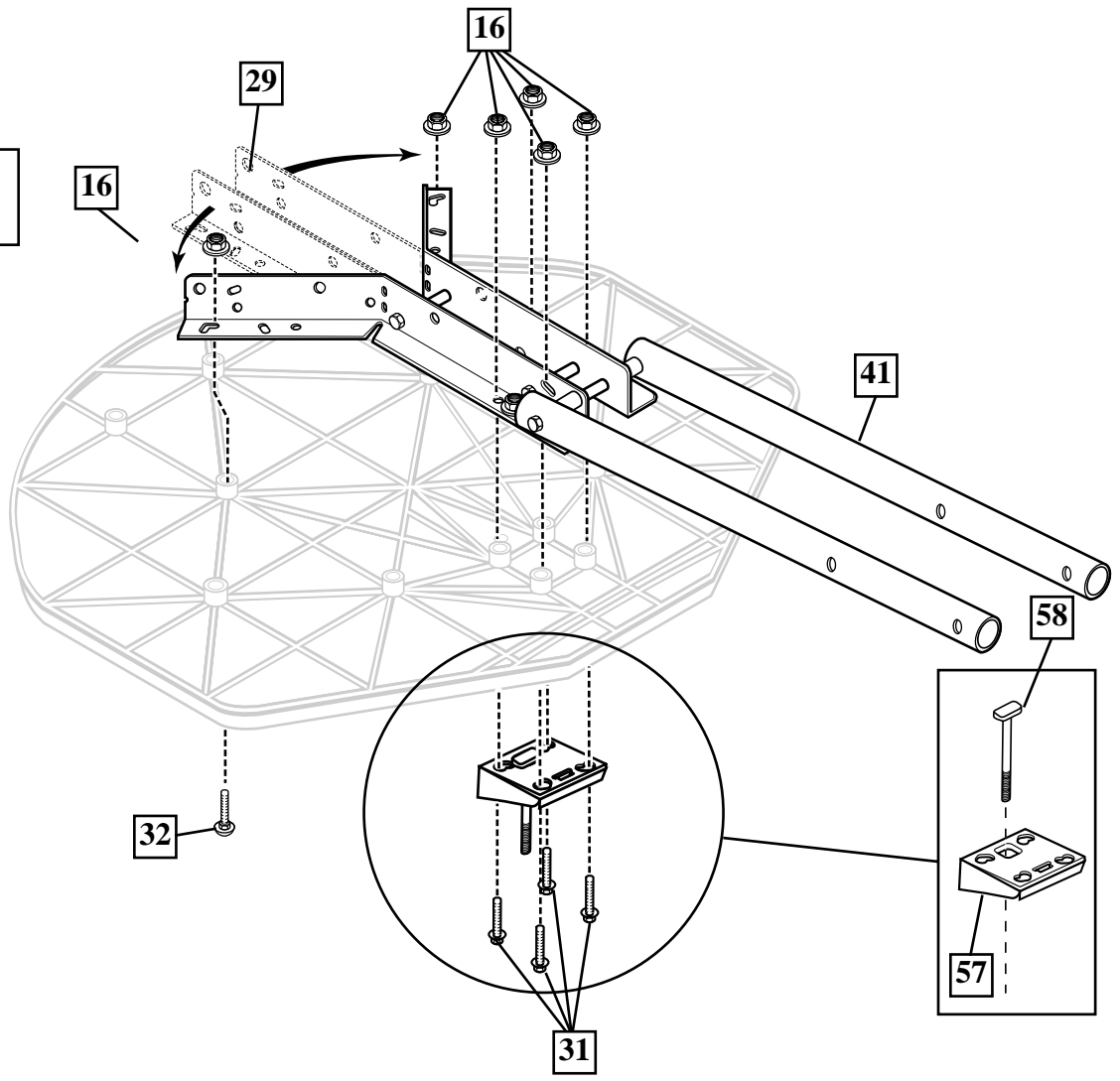


11.

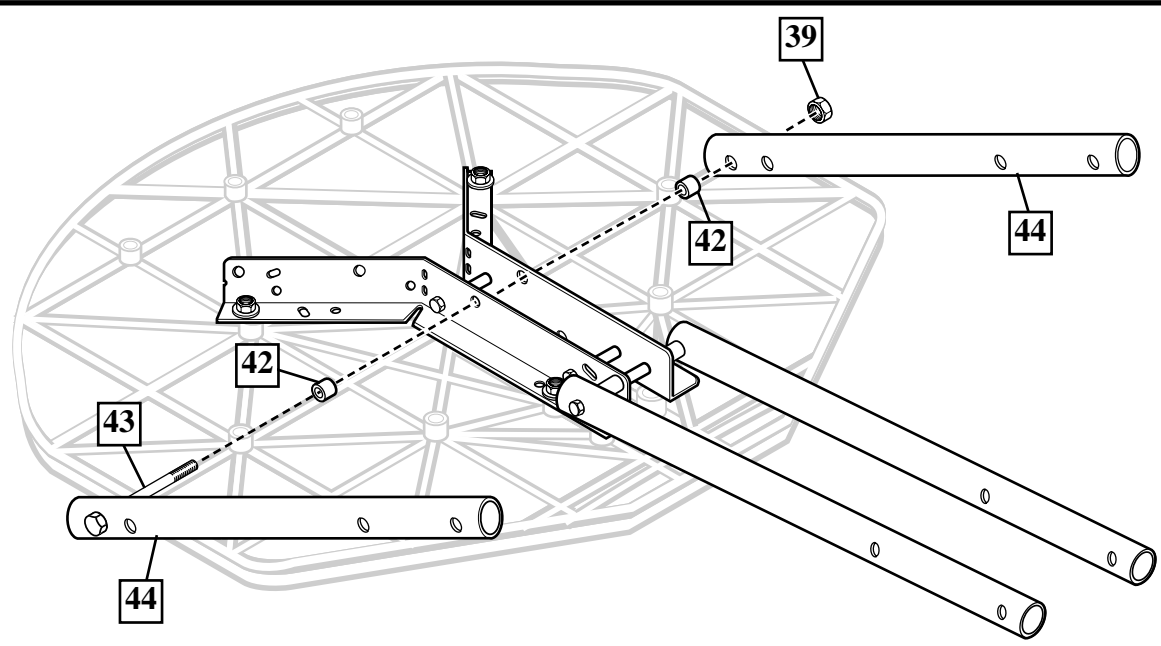


12.

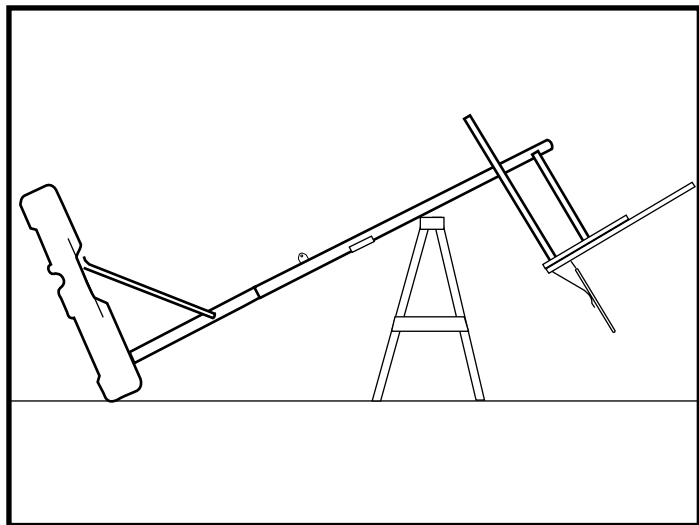
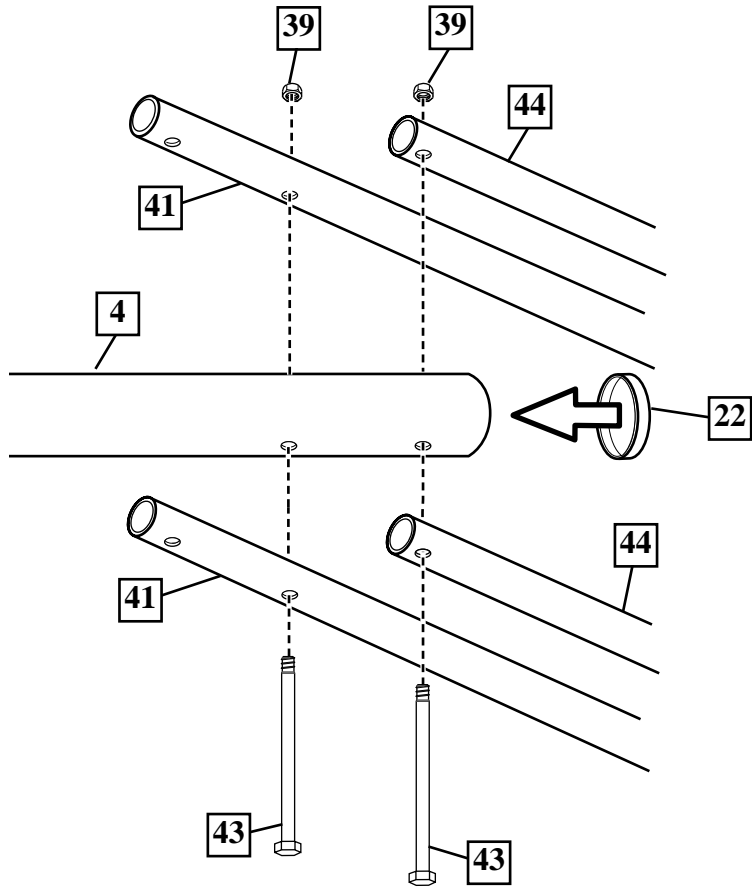
Backboard Style  
May Vary



13.



14.

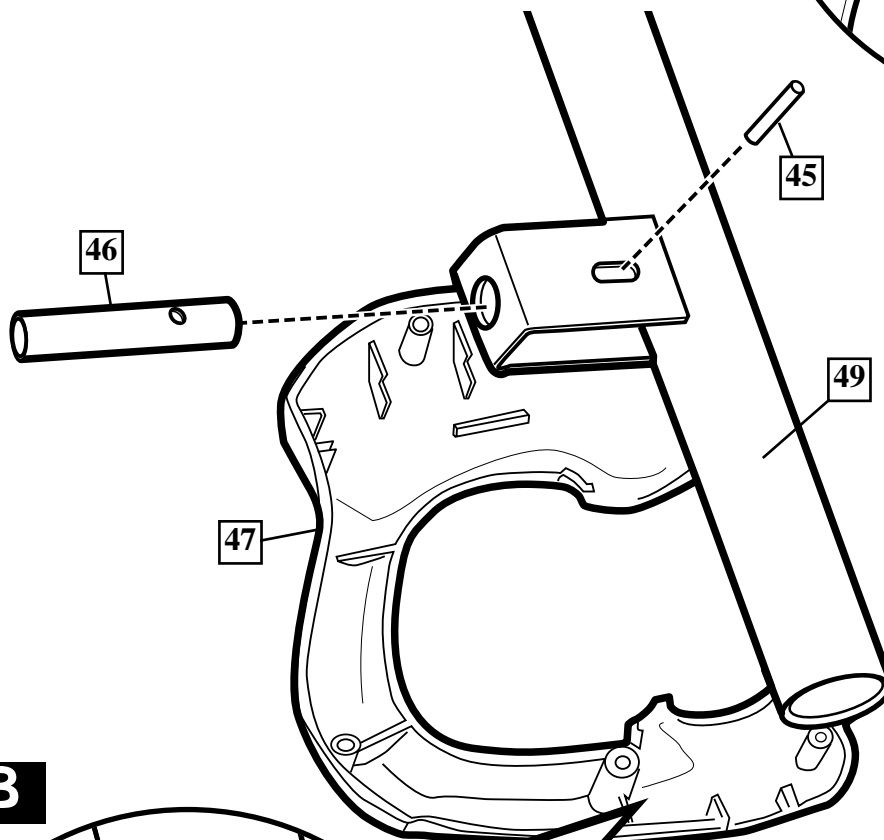
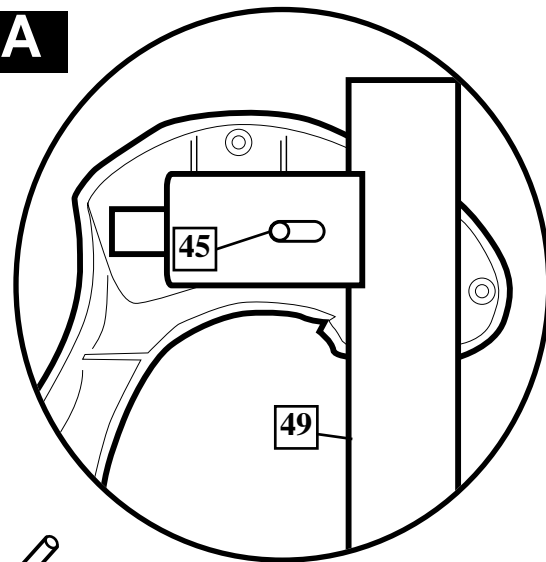


15.

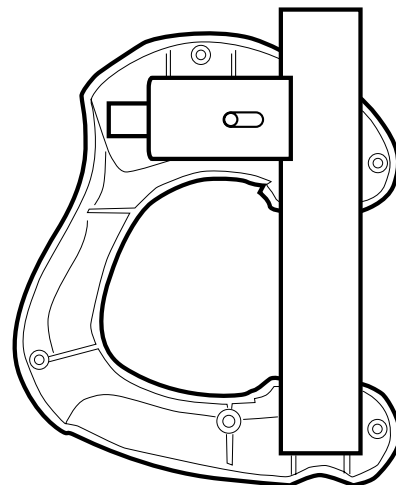
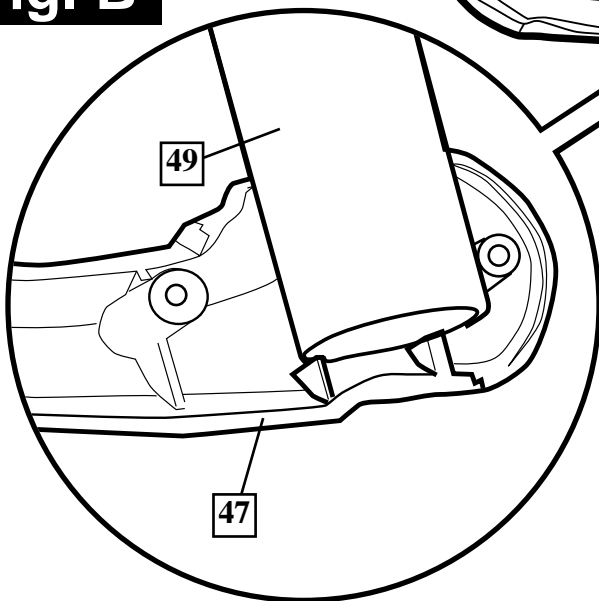
**IMPORTANT!**

(See Text Page)

**Fig. A**



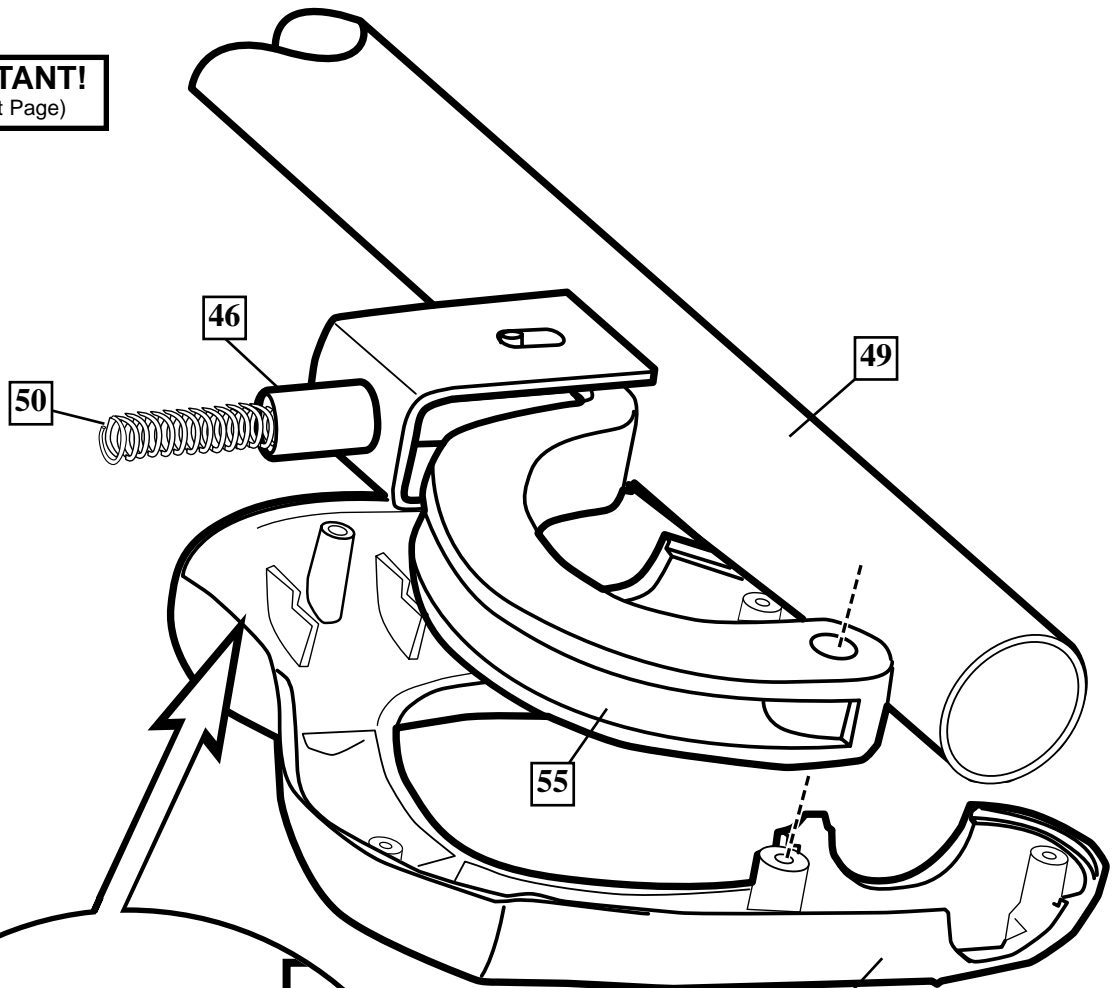
**Fig. B**



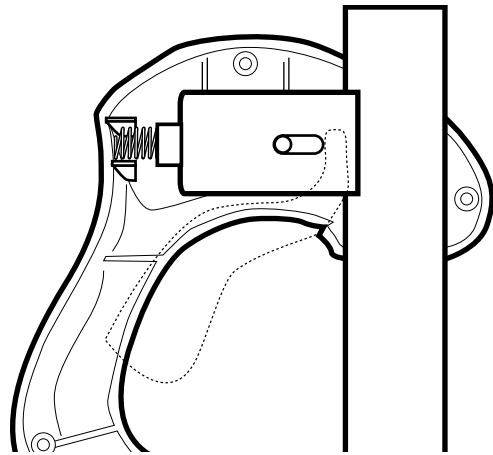
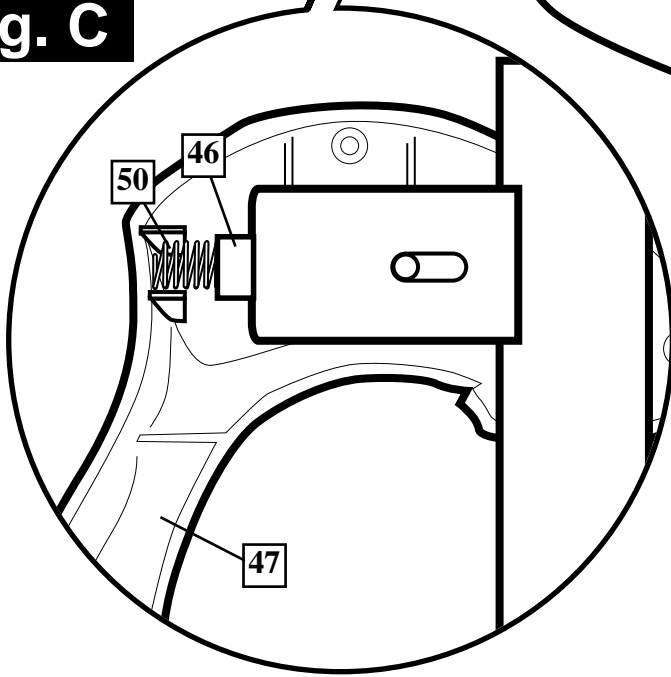
16.

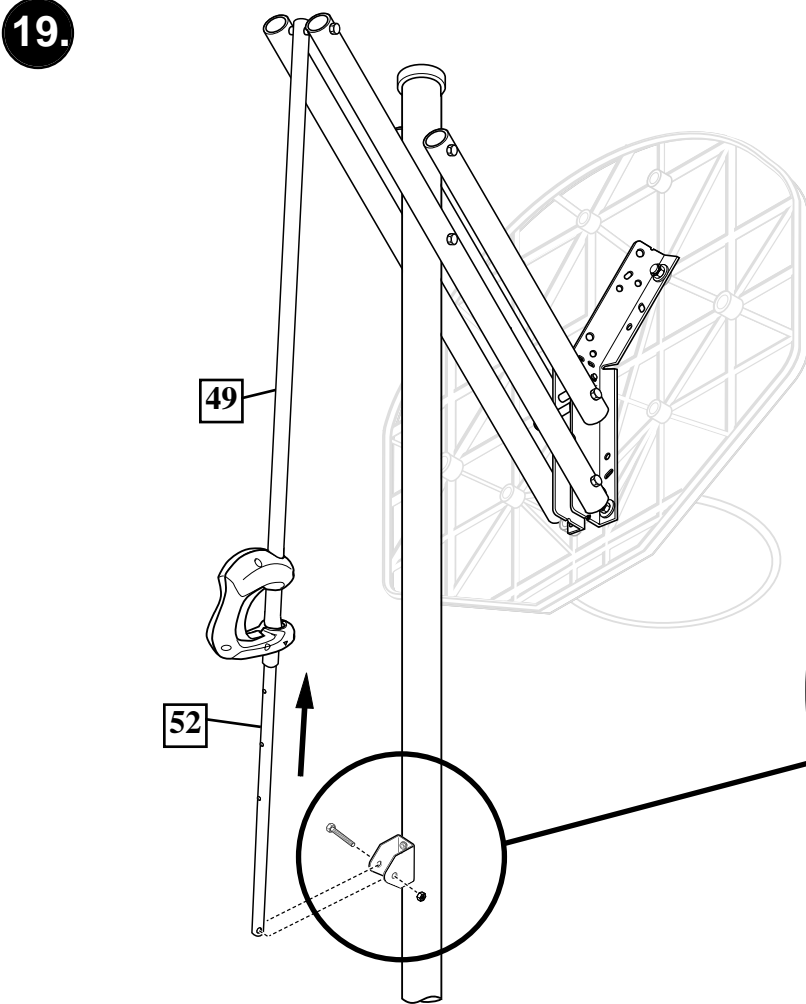
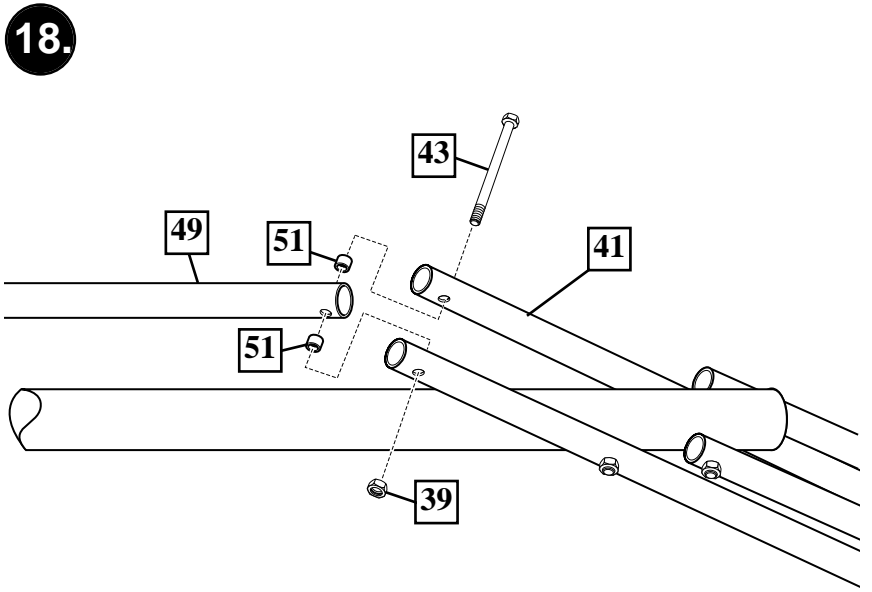
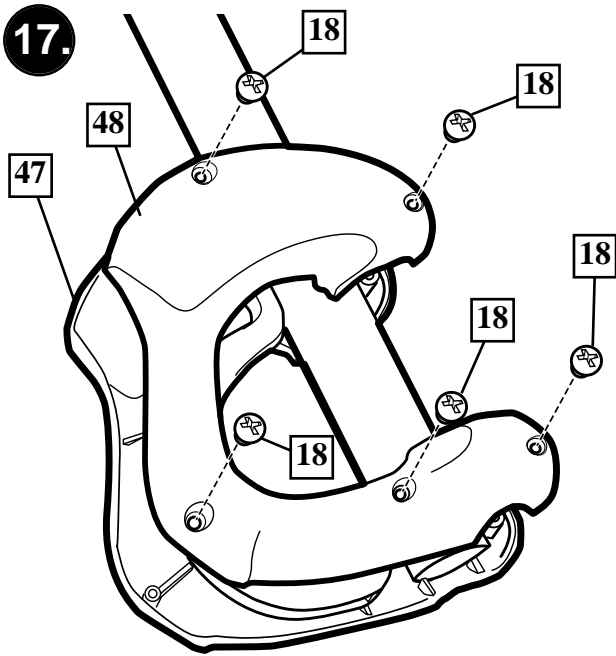
**IMPORTANT!**

(See Text Page)

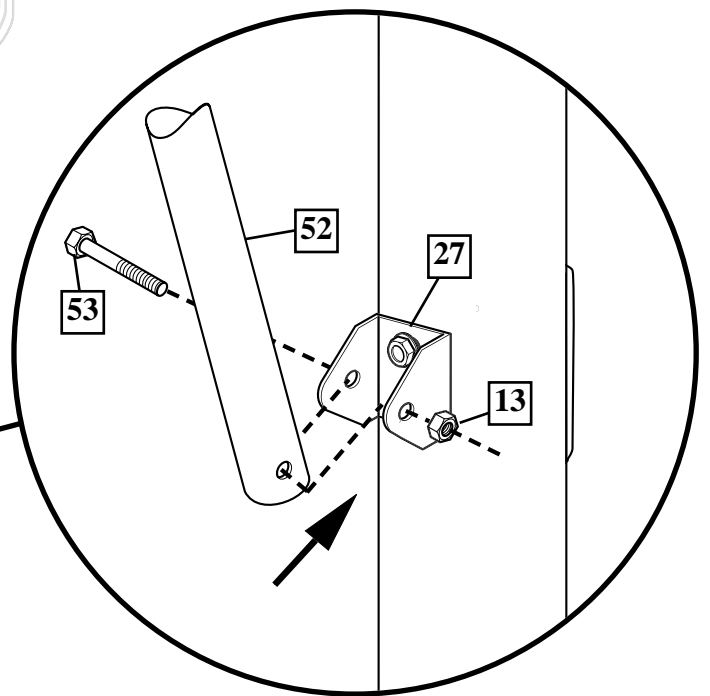


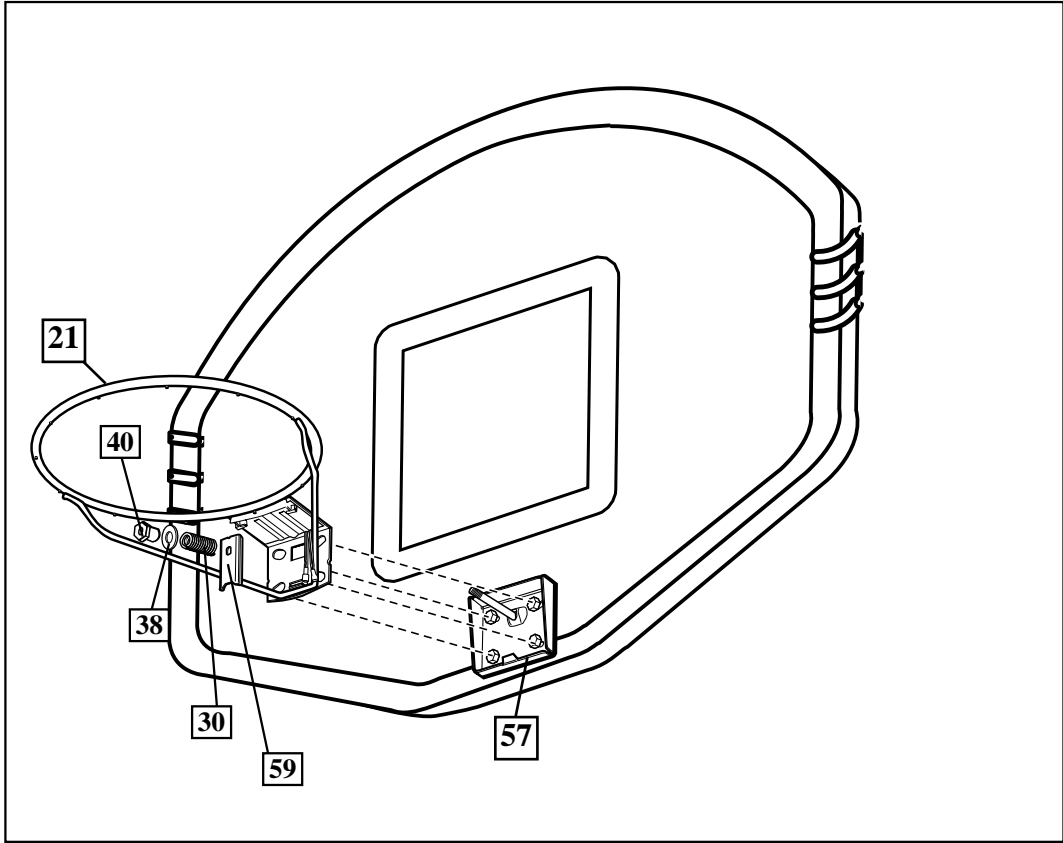
**Fig. C**





**⚠ WARNING**  
SEE TEXT PAGE



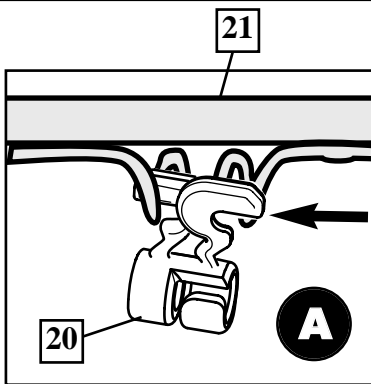
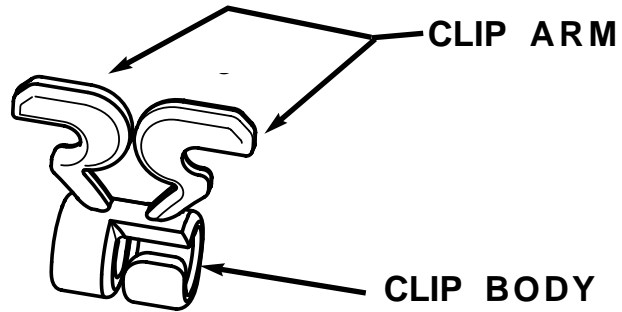




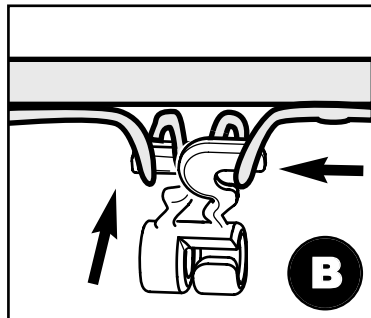
21.

Install net clips.

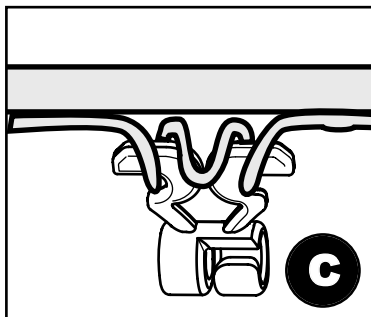
**! WARNING:** Use of this product without proper installation of net clips, or when all net clips are not present could result in bodily harm. Be sure to follow directions carefully.



Insert one arm of clip into ram as shown. Twist body of clip slightly so that second arm slides over the top of the first arm as shown. Push in direction indicated by arrows.



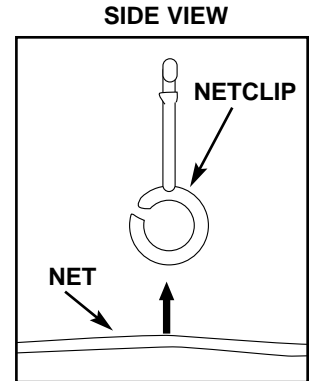
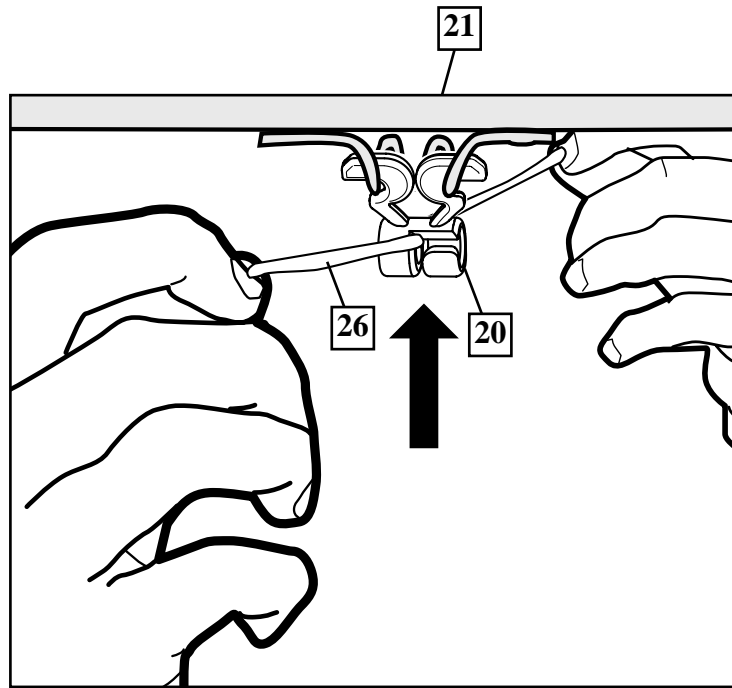
Push second arm back and into ram as shown.



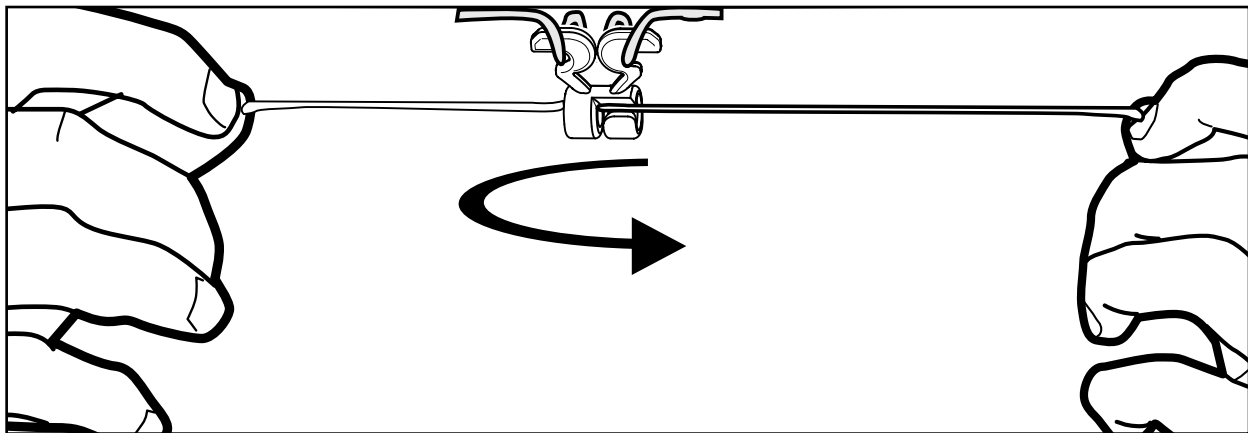
Twist body of clip slightly again to spread arms of clip. Clip arms must be flat and touching edge to edge as shown, not overlapping.

22.

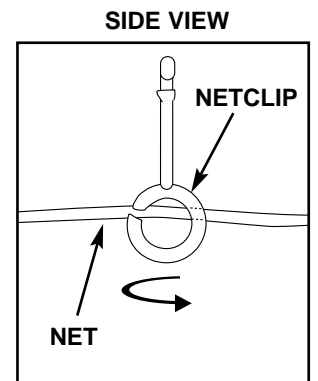
Install net.



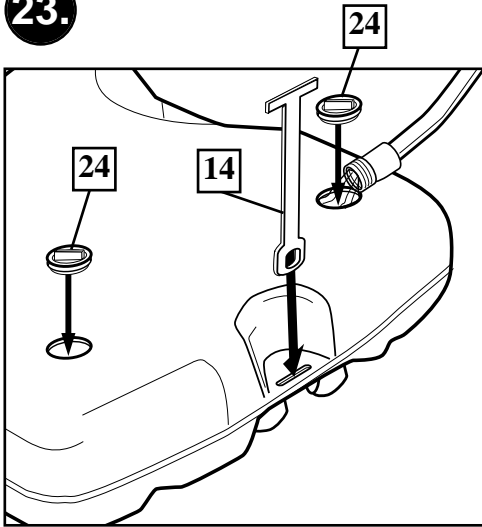
Insert net into bottom of clip as shown.



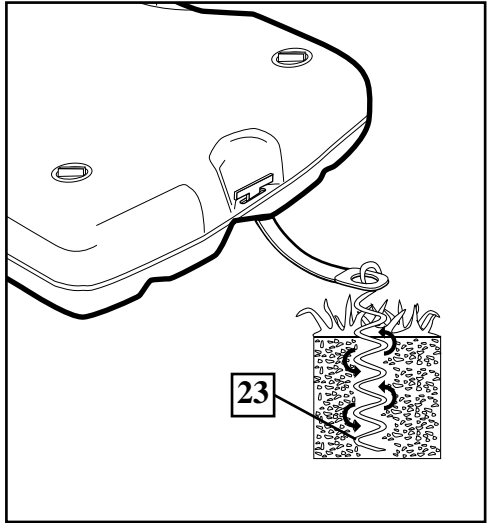
Twist net until it snaps into position.  
Net must be centered through clip.



23.

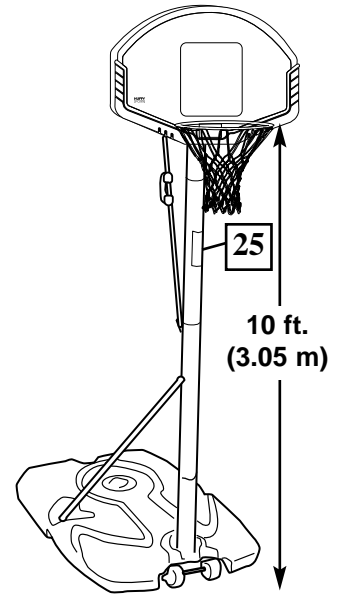


**! WARNING**  
SEE TEXT PAGE



**IMPORTANT!**  
(See Text Page)

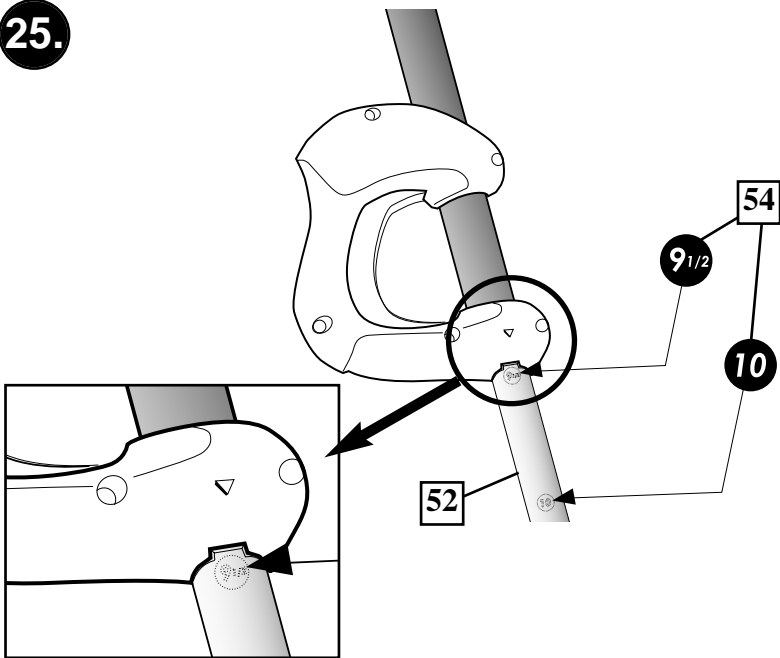
24.



**HEIGHT ADJUSTMENT STICKERS**

**HEIGHT ADJUSTMENT**

25.



26.

**! WARNING**  
SEE TEXT PAGE

